



QUICK START

POLY STUDIO X52 STAND

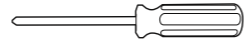


poly.com/support/studio-x52/stand

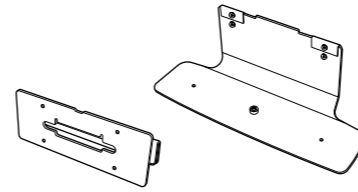
MANAGEMENT SOFTWARE

POLY LENS
poly.com/lens

TOOL



CONTENTS



Poly Studio X52 Stand Brackets



(8) M4 x 8 mm



www.poly.com/support/studio-x52



Recyclable where facilities exist

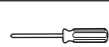
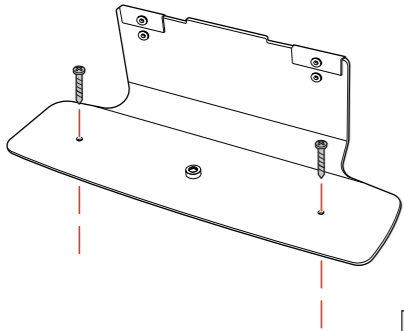
© 2023 Poly. All trademarks are the property of their respective owners.



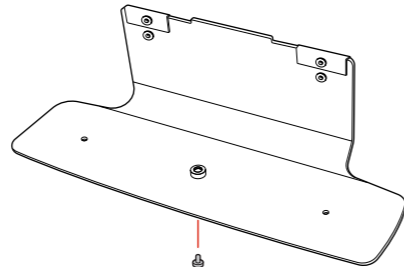
1725-87991-001C 01.23

Studio X52 Model P033

OPTIONAL

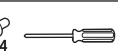
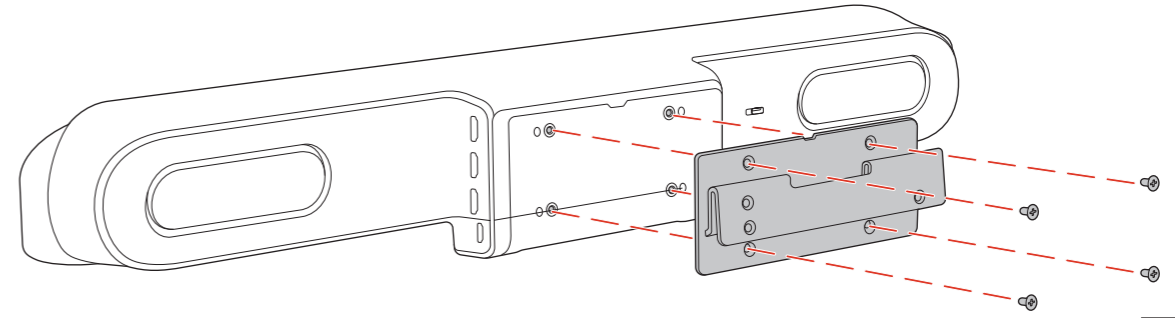


OPTIONAL

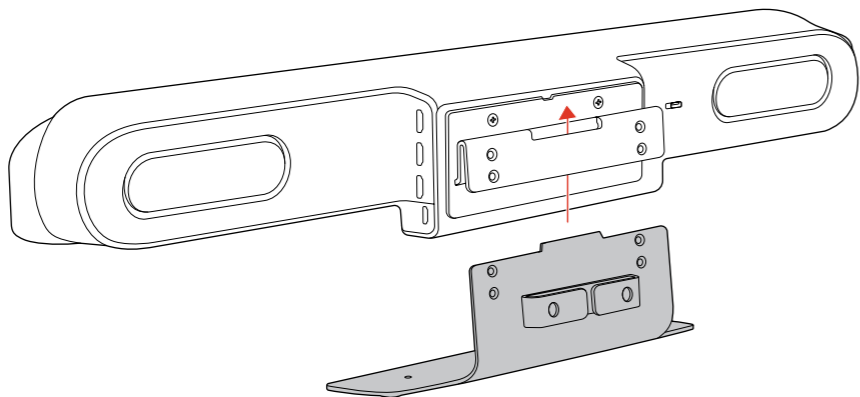


1/4"-20

1



2



3

